

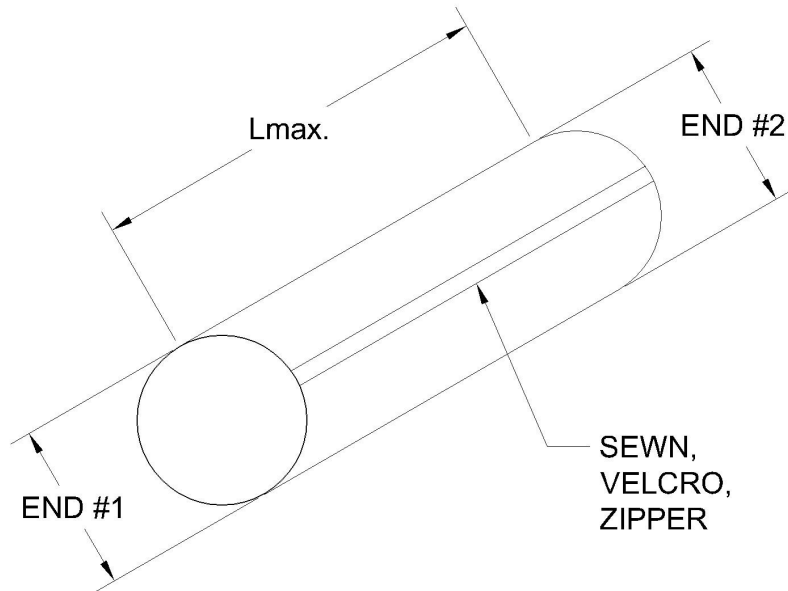


CUSTOM QUALITY MANUFACTURING, INC.

5015 TAMPA WEST BLVD, TAMPA, FL 33634
 PHONE: 813.290.0805 FAX: 813.290.0607
 TOLL FREE USA/CANADA/MEXICO - PHONE: 1.800.932.0140 FAX: 1.800.931.0140
 EMAIL: sales@cqm-inc.com

**QUOTE / ORDER FORM
 SLEEVE CONFIGURATION**

Unit of Measure: Metric English



Sleeve Diameter – End 1		MAXIMUM LENGTH OF SLEEVE (Lmax)	
Sleeve Diameter – End 2			

BASIC INFORMATION:

Requirements: Normal, dust, dirt and moisture Others: Oil, chemicals Others: Type: _____
 Heat application - Temperature range: _____ Welding application – How far from head: _____
Installation: Horizontal Vertical Incline Others: _____
Bellow Type: Sewn Velcro Zipper Bellow material: _____
Accessories: Clamps Flap over Velcro/Zipper Others: _____
 Provide drawings: _____

NOTES: Attach additional notes and drawings if needed: Yes No

CONTACT INFORMATION:

Date: _____ P.O # _____ CQM# _____ Quantity: _____ Delivery Date: _____
 Company: _____ Contact Person: _____
 Address: _____ Phone: _____ Fax: _____
 Deliver to: _____ E-mail: _____
 Request for Quote/Order by: _____
 Date: _____